



RS 105 Volleyball Standards:

SUPPLY ONLY:

RS 105 Volleyball posts as supplied by Royal Stewart Ltd.

Posts shall be made of round tubing as recommended by the Canadian Volleyball Association.

Center pole shall be 1.9" (48.26 mm) diameter tubing with two front braces and one full height back brace to prevent pole from bending. All braces shall be fabricated from 1" (25.4 mm) OD tubing with a 12-gauge wall thickness.

Bottom of the post shall be reinforced with a 14" (356 mm) insert.

Each post shall be equipped with two (2) fully adjustable, nickel plated fittings to accommodate heights as outlined below.

Each post shall be supplied with 800 lbs (364 kg) capacity winch as well as a rope leader to connect to volleyball net.

Two transport wheels with non-marking rubber will provide ease of moving posts. Back brace shall be rubber clad to protect the floor.

Net heights shall be as recommended by the Canadian Volleyball Association.

<u>Category</u>	<u>Age at Dec. 31</u>	<u>Male</u>	<u>Female</u>
Mini V/Ball	9 – 12	2.10M	2.10M
Bantam	13 – 14	2.20M	2.10M
Midget	15 – 16	2.34M	2.10M
Juvenile	17 – 18	2.43M	2.24M
Junior	19 – 20	2.43M	2.24M
Senior	21 -	2.43M	2.24M

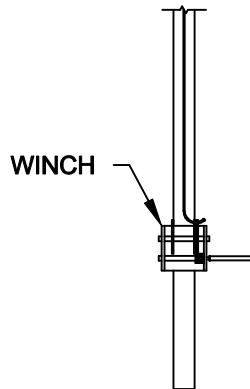
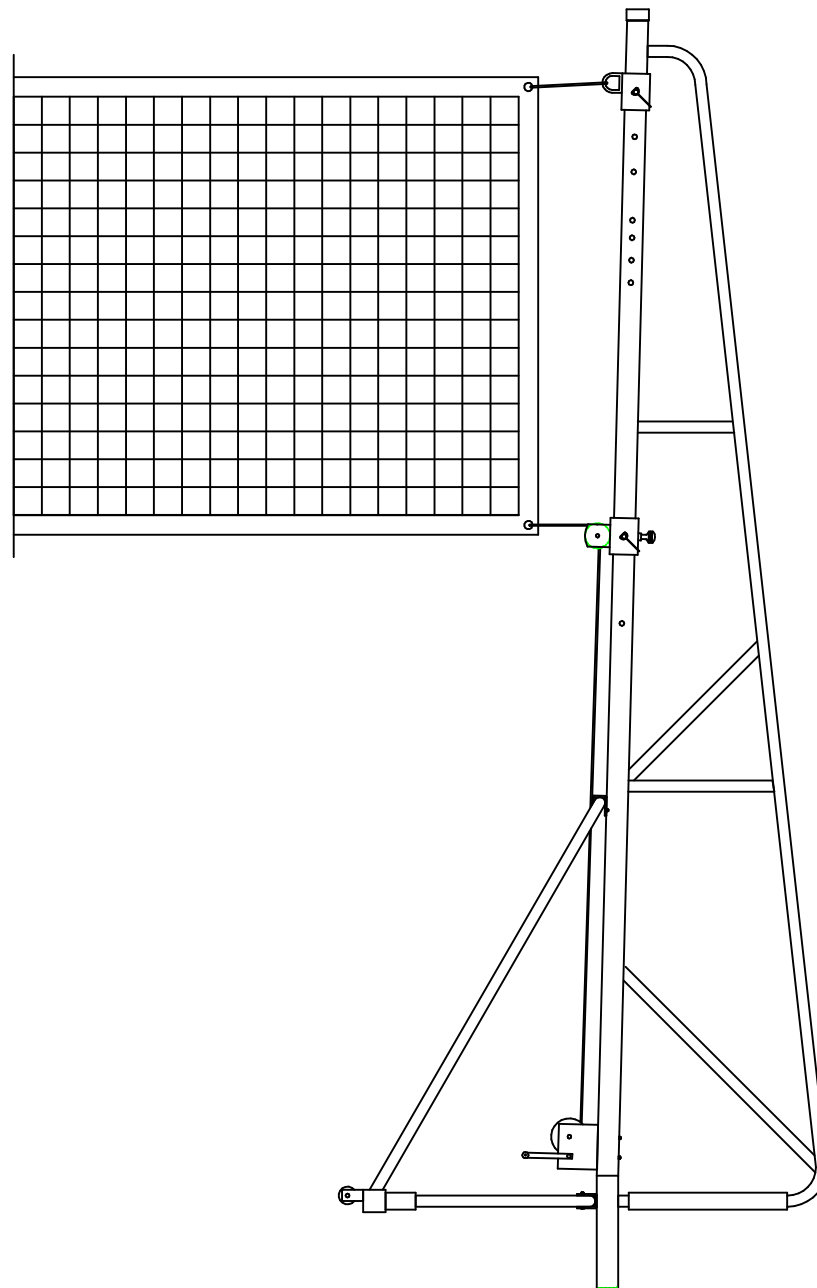
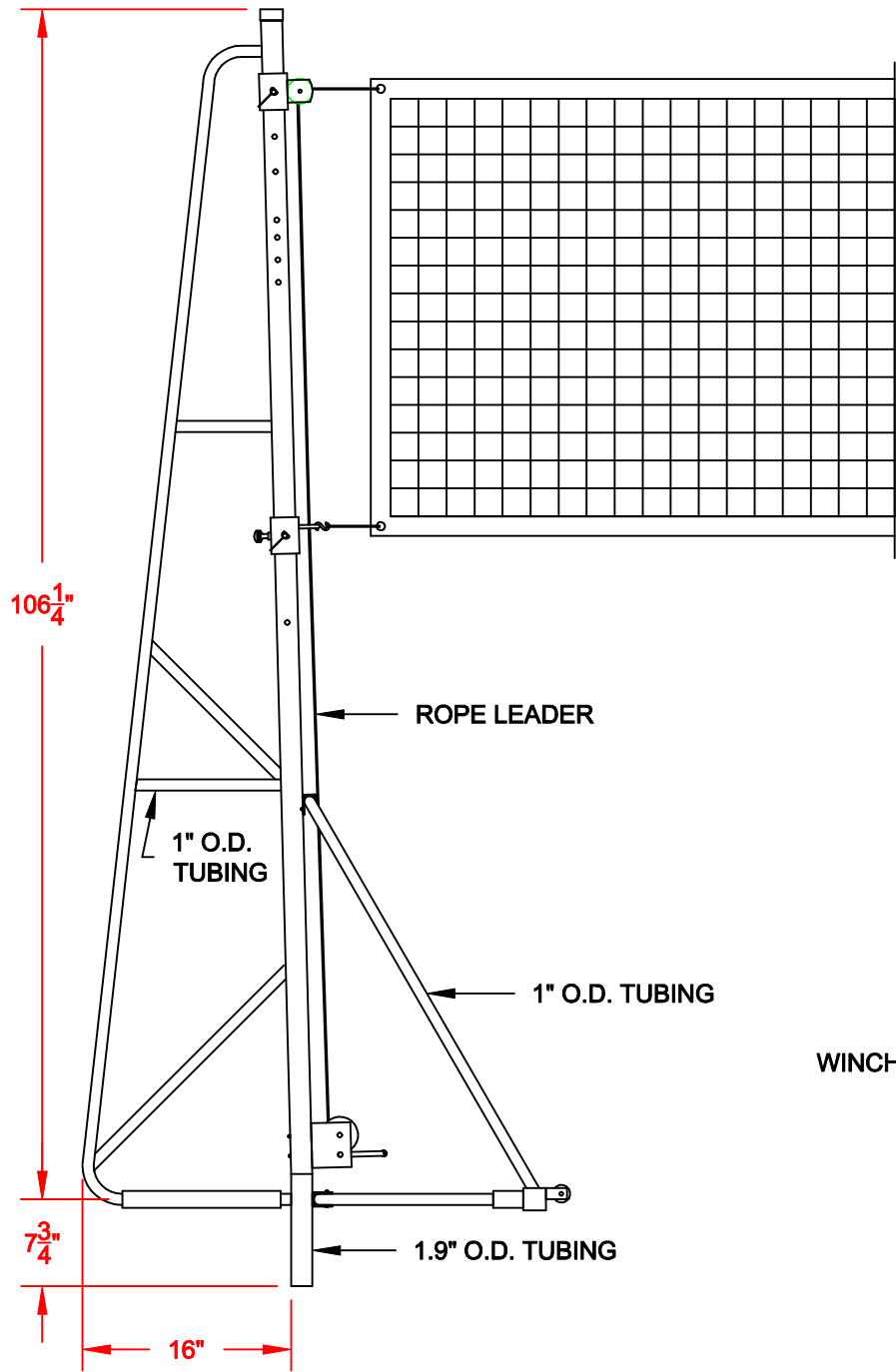
Additional Height – 4" (101 mm) extra for training, and 60" (1524 mm) height for Badminton.

Posts to be blue in colour. Powder coat finish.

To fit RS 100 Floor Socket (synthetic flooring), RS 108 Floor Socket (hardwood flooring) and RS 108 S storage socket.

RS 105 PP Post Padding, RS 105 R Referee stand, and RS 105 N game nets are optional.

RS 105 C Center Post is optional – Same construction as the above.



WORK ORDER / TRACKING NO		QTY REQUIRED		ROYAL STEWART LTD. Your Sports Facility and Auditorium Specialists 240 I-XL Cres. (St. Clements Ind. Park) Lockport, Manitoba, Canada, R1A 3R9		1	
MATERIAL		TITLE RS-105 VOLLEYBALL POST				1	ROUTING
A	05/03/04	DRAWING RELEASE	ET	SCALE	N.T.S.	DWG SHEET NO	1
REV	DATE	REVISIONS DESCRIPTION	BY	DRAWN BY	WS	DWG NO	
DO NOT SCALE DWG, UOS DIMENSIONS ARE IMPERIAL INCHES				DATE	03/13/01		REV
							A